



# TB2421E

40 Ah DIY Battery cabinet

UPBPTB2421EX-AZ01B

---

## Installation and battery connection for 40Ah DIY EBM



796.37.21.0

---

Before using this product, carefully read all product documentation and retain it for future reference.

# Thank you for purchasing our products!

Please read this manual before using the product.



Focusing on quality at competitive prices, **nJoy** designs consumer products for a better and enjoyable way into the digital world.

This UPS will protect your electronic equipment from physical damage and will provide emergency battery backup power to prevent data loss in the event of power problems.

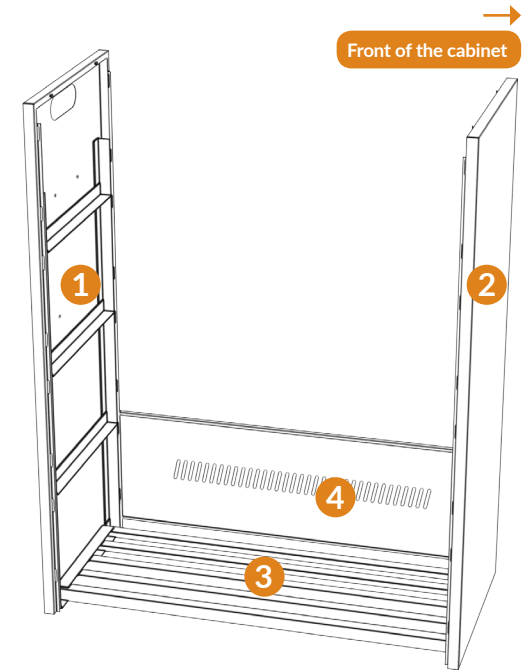
Garun Series models that are compatible with this EBM model:

Garun Series 30KL / 40KL / 60KL / 80KL

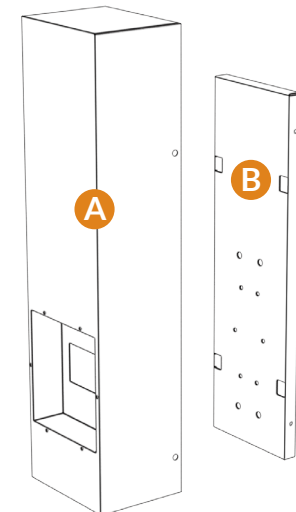
Ranger Series 30KT / 60KT

## 1 Installation and assembly of the cabinet

**Step 1**  
Assemble the first parts of the cabinet in the order shown.

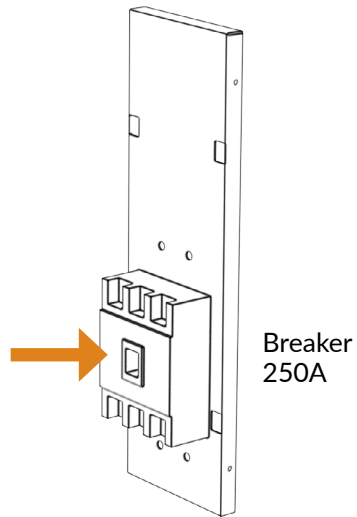


**Step 2**  
The breaker cover has two parts. Begin with the lower part (shown in picture as B).



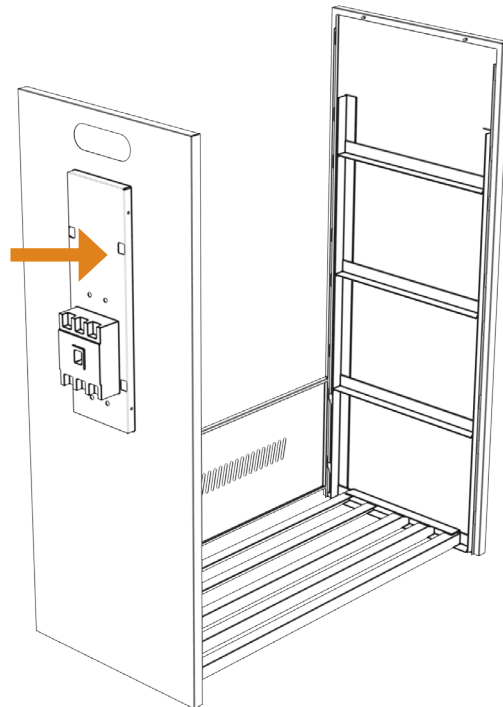
### Step 3

Screw the breaker on the corresponding part.



### Step 4

Assemble the component on the back of the cabinet.



For complete information on the cables used for this battery cabinet, please refer to the table below:

No.	Name	Description	Length (cm)	Quantity (pcs)	Observations
1	1	Battery to Battery AWG 4	25	28	Ring 6.4mm to Ring 6.4mm
2	2	Battery to Battery AWG 4	50	8	Ring 6.4mm to Ring 6.4mm
3	3	Battery to Battery AWG 4	80	2	Ring 6.4mm to Ring 6.4mm
4	BAT-	Battery to Breaker negative (-) Pole AWG 4	150	1	Ring 6.4mm to Ring 8.4mm
5	N	Battery to Breaker neutral (N) Pole AWG 4	116	1	Ring 6.4mm to Ring 8.4mm
6	N1	Battery to Battery AWG 4	70	1	Ring 6.4mm to Ring 6.4mm
7	BAT +	Battery to Breaker positive (+) Pole AWG 4	88	1	Ring 6.4mm to Ring 8.4mm
8		Cabinet to Cabinet 3x AWG 2	150	1	Ring 10.4mm to Ring 10.4mm

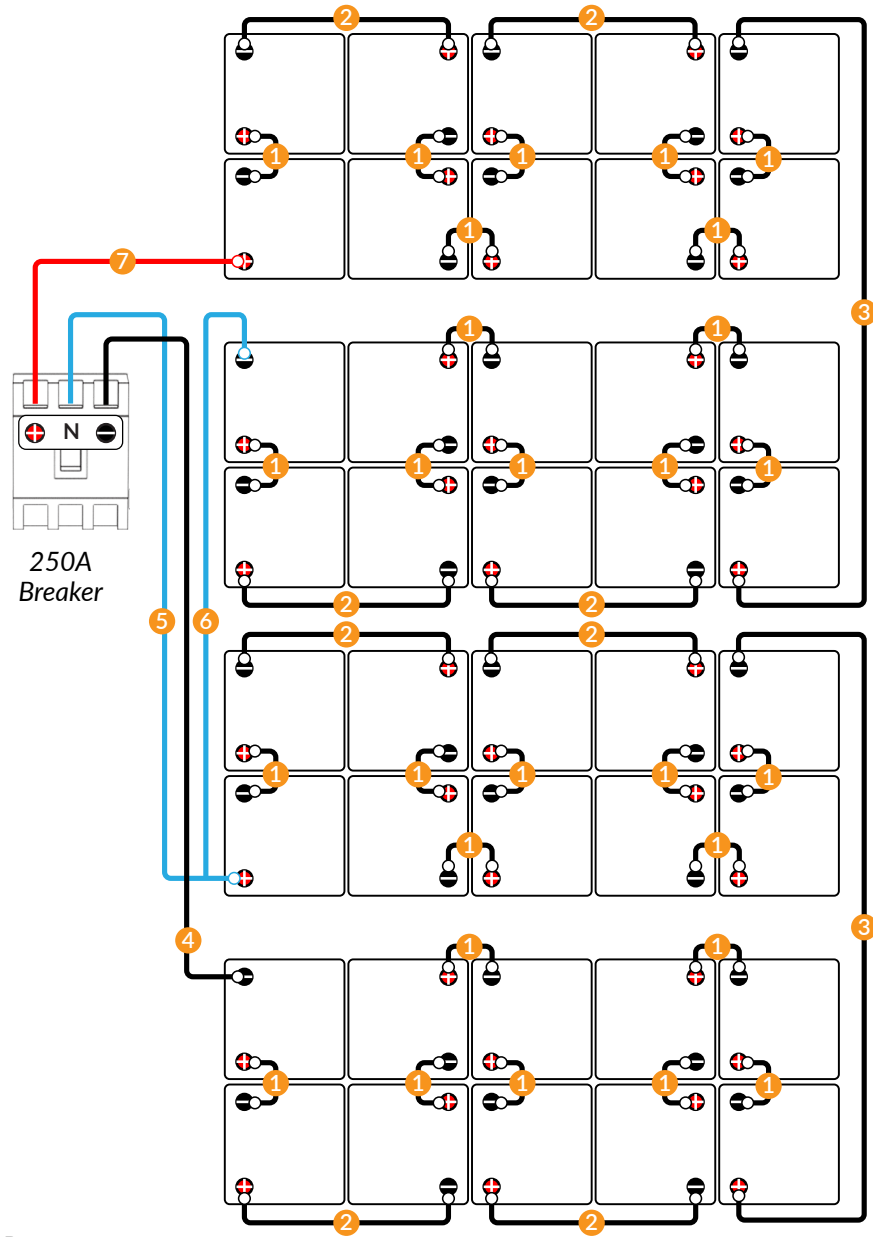
### NOTE!

The cable numbering corresponds to the ones on the connection diagram and on the illustrations.

Top



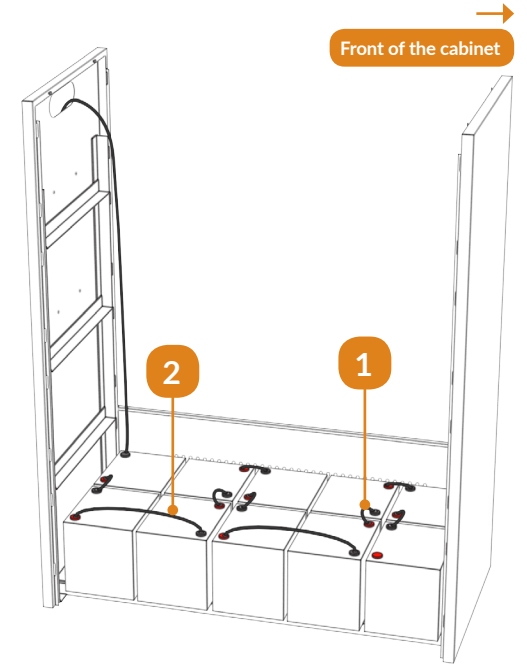
Front of the cabinet



Bottom

### Step 5

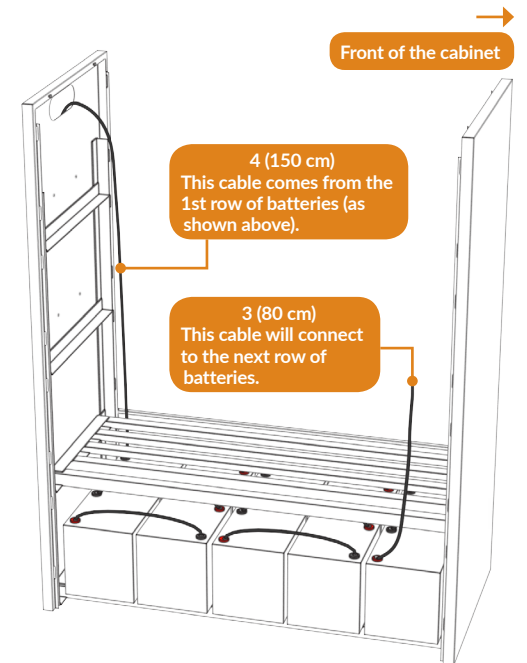
Place 10 batteries on the first tray, and connect them accordingly.



### Step 6

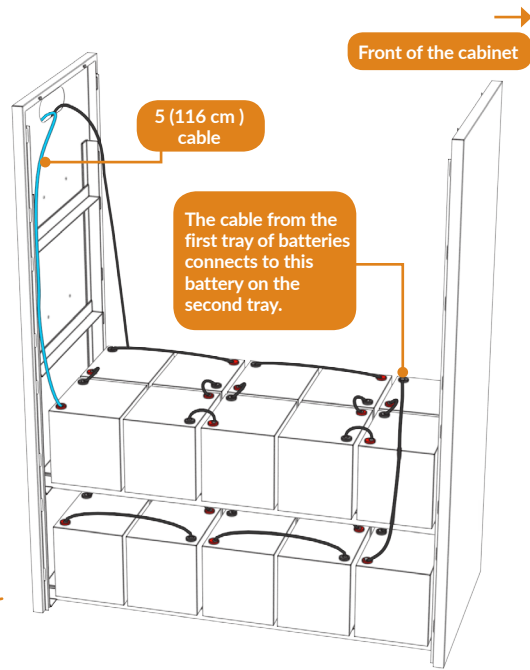
Assemble the next components and tray.

Connect the last cable to the battery as shown in the image.

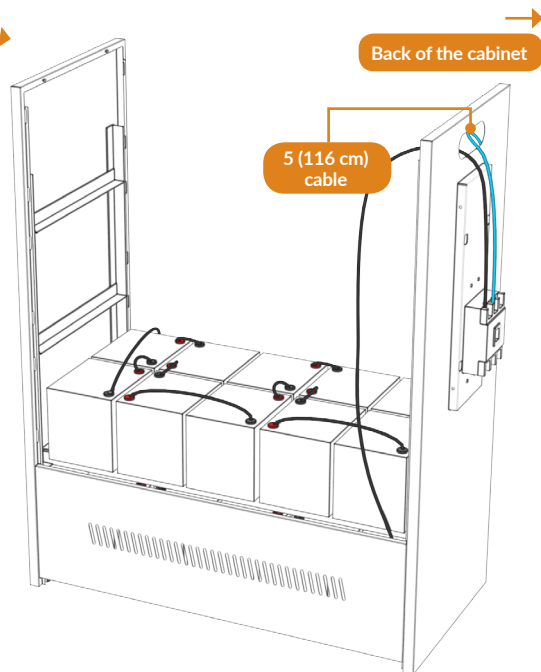


### Step 7

Place another 10 batteries on the next tray, and connect them accordingly.

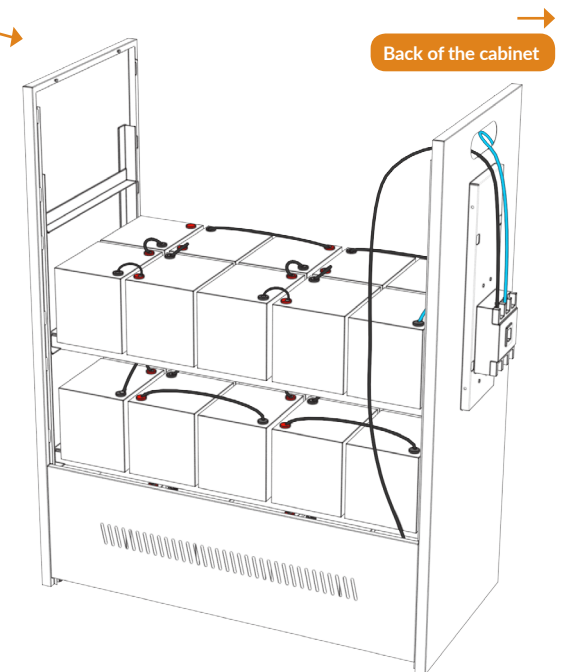
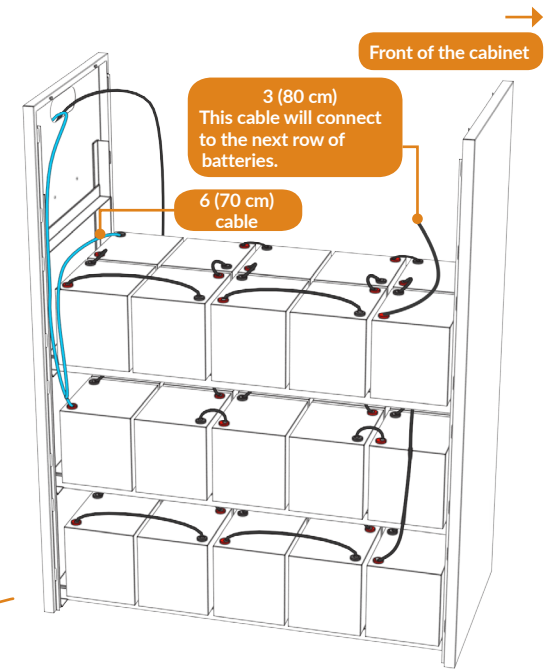


180° rotated angle view



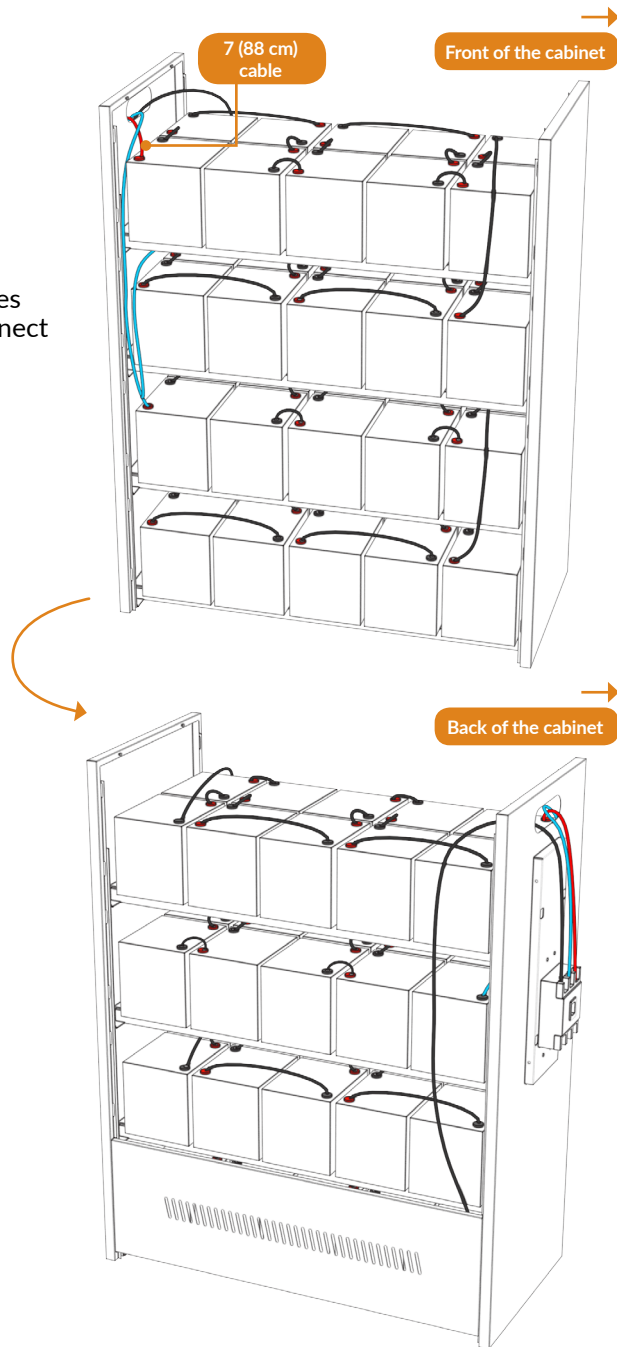
### Step 8

Place 10 batteries on the next tray, and connect them accordingly.



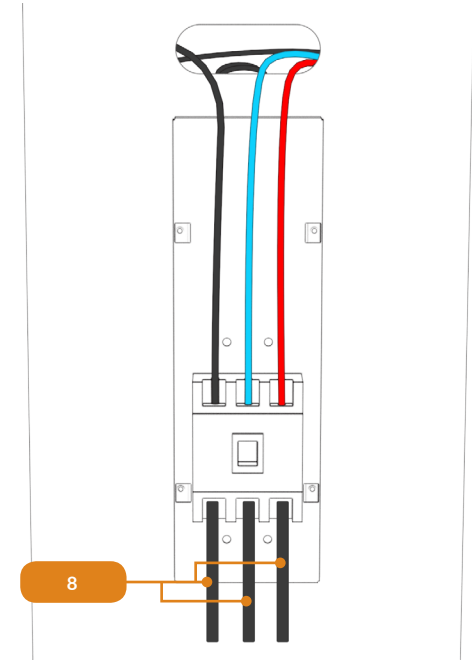
### Step 9

Place the last 10 batteries on the top tray, and connect them accordingly.



### Step 10

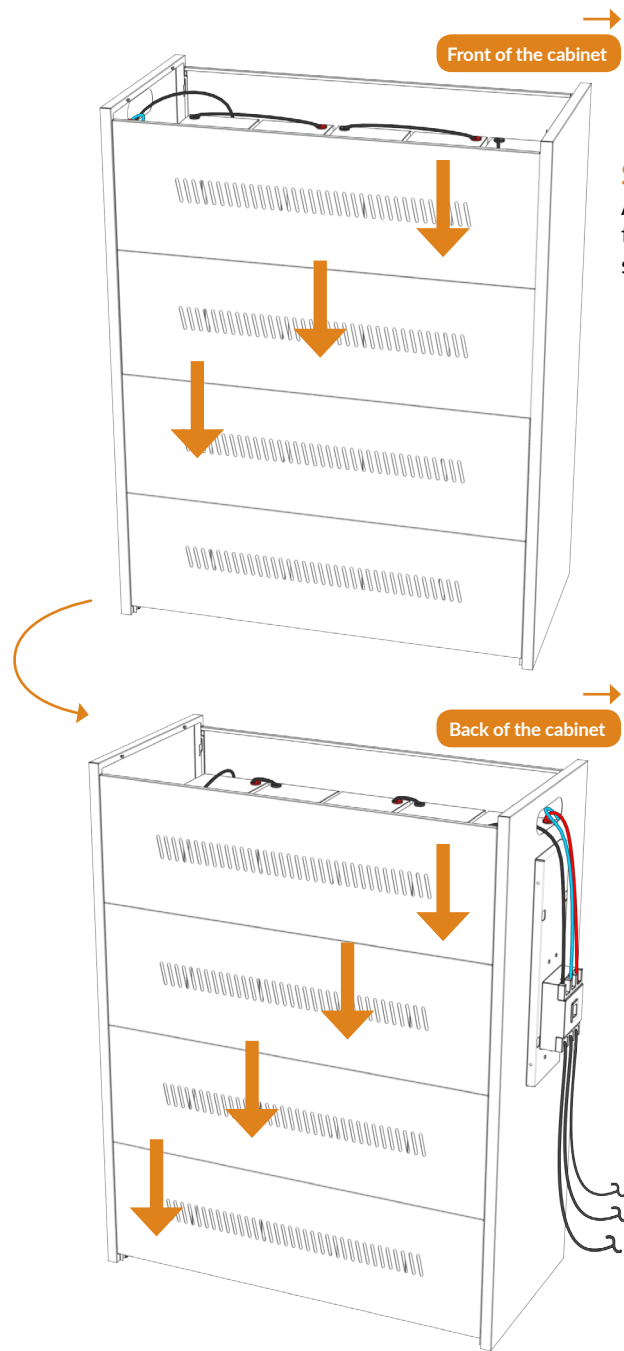
On the back of the cabinet, the wires should be connected to the breaker as shown in the image.



### NOTE!

There is a total of 3 cables that connect to the breaker from the battery side of the cabinet, and 3 cables that connect to the breaker from the UPS (or another cabinet) side.

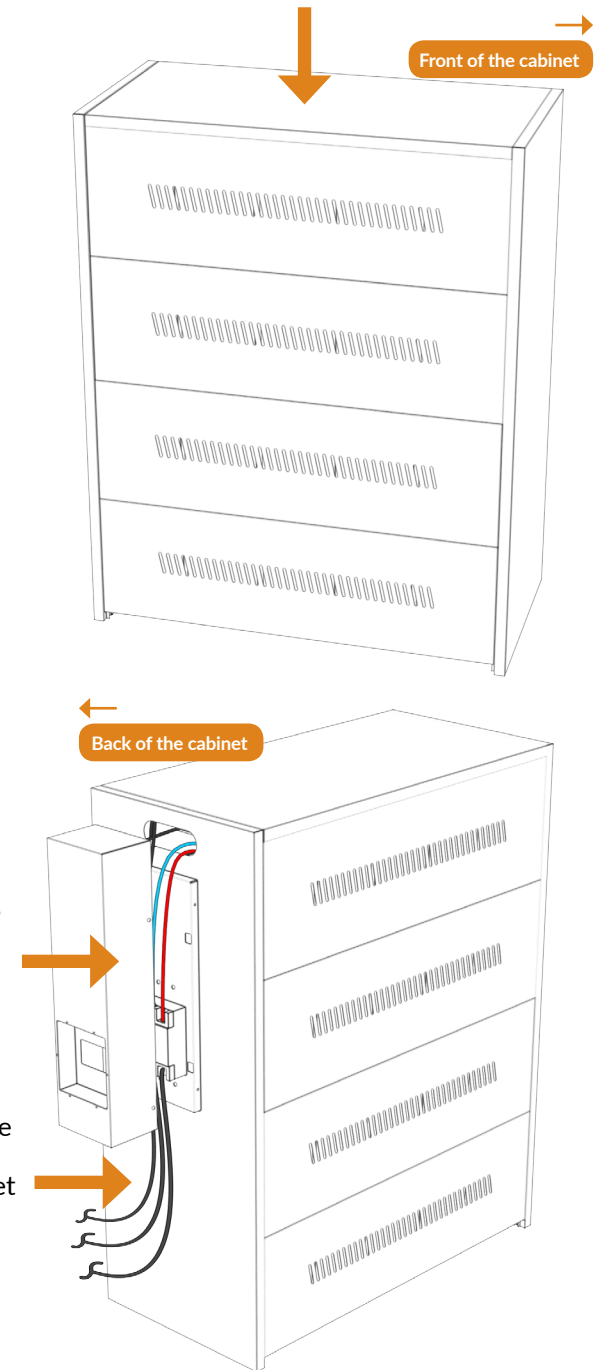
All the cables shipped with the cabinet are black. We used colors on this manual to make the connection diagram presented below more clear.



Front of the cabinet

**Step 11**  
Assemble the rest of the panels on each side of the cabinet.

Back of the cabinet



Front of the cabinet

**Step 12**  
Assemble the top cover of the cabinet.

Back of the cabinet

**Step 13**  
Make sure the cables are correctly connected to the breaker and assemble the cover.

These cables should be connected to UPS or another battery cabinet

The cabinet is now ready for use.



### **Disposal of Old Electrical & Electronic Equipment**

*(Applicable in the European Union and other European countries with separate collection systems)*

This symbol on the product or on its packaging indicates that this product shall not be treated as household waste.

Instead it shall be handed over to the applicable collection point for the recycling of electrical and electronic equipment.

By ensuring this product is disposed of correctly, you will help prevent potential negative consequences for the environment and human health, which could otherwise be caused by inappropriate waste handling of this product.

The recycling of materials will help to conserve natural resources.



Memo

A series of horizontal dotted lines providing a template for a memo.



