



Aster Series

User Manual

UPCMCOP910HASCG01B
UPCMCOP920HASCG01B
UPCMCOP930HASCG01B

Manual de utilizare



025.36.23.0

Before using this product, carefully read all product documentation and retain it for future reference.

Thank you for purchasing our products!

Please read this manual before using the product.

nJoy is a brand of power and backup protection products that create solutions for multiple levels of environment complexity, residential to industrial.

This UPS will protect your electronic equipment from physical damage and will provide emergency battery backup power to prevent data loss in the event of power problems.

The following models belong to the **Aster Series UPS**:

1000 VA

Aster 1K

2000 VA

Aster 2K

3000 VA

Aster 3K

1 Package contents

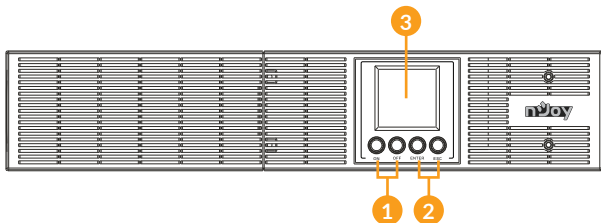
- ✓ UPS unit
- ✓ Power cord
- ✓ USB cable
- ✓ Screws
- ✓ Screw hole dust covers
- ✓ Rack accessories
- ✓ User manual
- ✓ Warranty card

NOTE!

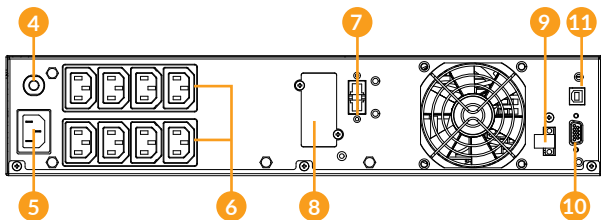
Before installation, please inspect the unit. Be sure that nothing inside the package is damaged. Keep the original package in a safe place for future use.

2 Product overview

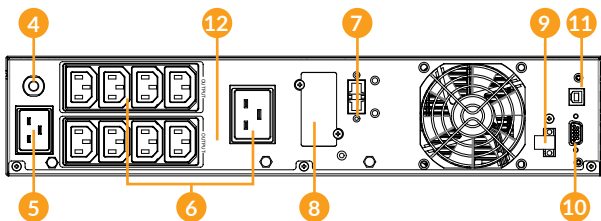
Aster 1K/2K/3K - Front view



Aster 1K/2K - Back view



Aster 3K - Back view



1. **Power On/Off button:** Master ON/OFF for the UPS.
2. **Function Buttons:** Scroll up, scroll down, select and cancel LCD menu in setting mode.
3. **LCD Display:** Indicate status information, settings and events.
4. **Input Circuit Breaker:** The circuit breaker provides optimal overload protection.
5. **AC Input Inlet:** Connect the AC Power cord to a properly wired and grounded outlet.
6. **Battery Backup & Surge Protected Outlets:** Provide battery backup and surge protection. They ensure power is provided to connected equipment over a period of time during a power failure.

Critical / Non-critical outlets: Allows the creation of load priorities to ensure that battery power reserves are transferred to specified outlets during a power outage. The unit can be programmed to provide additional runtime for equipment connected to the "CRITICAL" outlets, while stopping the power supply to equipment connected to "NON-CRITICAL" outlets after a designated period of time.

7. **Extended Runtime Battery Module Connector:** Connect to additional external battery modules.
8. **SNMP/HTTP Network slot:** Slot to install the optional SNMP card for remote network control and monitoring.
9. **EPO (Emergency Power Off) Connector:** Enable Power-Off in emergency from a remote location.
10. **Serial Port:** Serial port provides communication between the UPS and the computer. The UPS can control the computer's shutdown during a power outage through the connection while the computer can monitor the UPS and alter its various programmable parameters.
11. **HID USB port:** Allows the UPS to appear in Windows like a battery icon. When the power is out, you can still see the battery level and adjust its settings. Also Windows power management options are available. In case you need more advanced local management we recommend you to install and use "PowerMonitor" software.
12. **Output Circuit Breaker:** Provide overload and fault protection.

3 Important safety warnings

Please comply with all warnings and operating instructions in this manual strictly. Save this manual properly and carefully read the following instructions before installing the unit. Do not operate this unit before reading through all safety information and operating instructions carefully:

Transportation

- Please transport the UPS system only in the original package to protect against shock and impact.

Preparation

- Condensation may occur if the UPS system is moved directly from cold to warm environment. The UPS system must be absolutely dry before being installed. Please allow at least two hours for the UPS system to acclimate to the environment.
- Do not install the UPS system near water or in moist environments.
- Do not install the UPS system where it would be exposed to direct sunlight or near heat sources.
- Do not block ventilation holes in the UPS housing.

Installation

- Do not connect appliances or devices which would overload the UPS system (e.g. laser printers) to the UPS output sockets.
- Place cables in such a way that no one can step on or trip over them.
- Do not connect domestic appliances such as hair dryers to UPS output sockets.
- The UPS can be operated by any individuals with no previous experience.
- Connect the UPS system only to an earthed shockproof outlet which must be easily accessible and close to the UPS system.
- Please use only VDE-tested, CE-marked mains cable (e.g. the mains cable of your computer) to connect the UPS system to the building wiring outlet (shockproof outlet).

- Please use only VDE-tested, CE-marked power cables to connect the loads to the UPS system.
- When installing the equipment, it should ensure that the sum of the leakage current of the UPS and the connected devices does not exceed 3.5mA.

Operation

- Do not disconnect the mains cable on the UPS system or the building wiring outlet (shockproof socket outlet) during operations since this would cancel the protective earthing of the UPS system and of all connected loads.
- The UPS system features its own, internal current source (batteries). The UPS output sockets or output terminals block may be electrically live even if the UPS system is not connected to the building wiring outlet.
- In order to fully disconnect the UPS system, first press the OFF/Enter button to disconnect the mains.
- Prevent fluids or other foreign objects from entering the inside of the UPS system.
- **WARNING:** This is a category C2 UPS product. In a residential environment, this product may cause radio interference, in which case the user may be required to take additional measures.

Maintenance, service and faults

- The UPS system operates with hazardous voltages. Repairs may be carried out only by qualified maintenance personnel.
- Caution - risk of electric shock. Even after the unit is disconnected from the mains (building wiring outlet), components inside the UPS system are still connected to the battery and electrically live and dangerous.
- Before carrying out any kind of service and/or maintenance, disconnect the batteries and verify that no current is present and no hazardous voltage exists in the terminals of high capability capacitor such as BUS-capacitors.

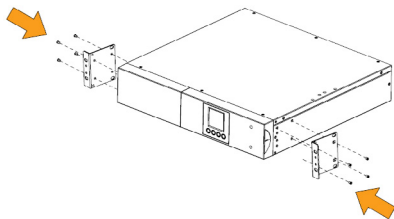
- Only persons are adequately familiar with batteries and with the required precautionary measures may replace batteries and supervise operations. Unauthorized persons must be kept well away from the batteries.
- Caution - risk of electric shock. The battery circuit is not isolated from the input voltage. Hazardous voltages may occur between the battery terminals and the ground. Before touching, please verify that no voltage is present!
- Batteries may cause electric shock and have a high short-circuit current. Please take the precautionary measures specified in this manual and any other measures necessary when working with batteries: remove wristwatches, rings and other metal objects, use only tools with insulated grips and handles.
- When changing batteries, install the same number and same type of batteries.
- Do not attempt to dispose of batteries by burning them. This could cause battery explosion.
- Do not open or destroy batteries. Escaping electrolyte can cause injury to the skin and eyes. It may be toxic.
- Please replace the fuse only with the same type and amperage in order to avoid fire hazards.
- Do not dismantle the UPS system.

4 Installing your UPS system

4.1 Rack-mount installation

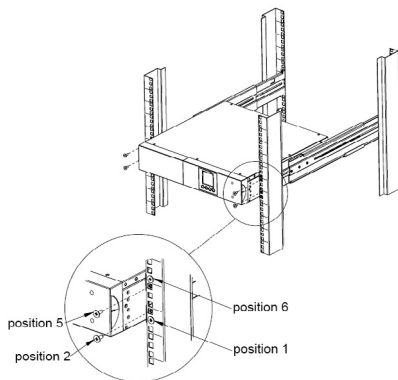
1. Rack-mount ears installation

Attach the two rackmount ears to the UPS using the provided screws M4X8L*8pcs.



2. Install the UPS on the rack

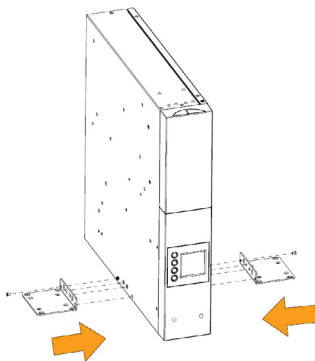
Place the UPS on a flat stable surface with the front of the unit facing toward you. Secure the UPS to your rack with four M5X12L screws at the front of the rack. (Located in position 2 & position 5).



4.2 Tower installation

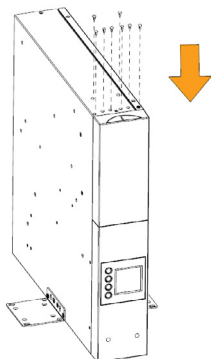
1. Attach the base stands

Tighten the screws (M4X8L*8pcs) of the base stands (rackmount ears) onto the bottom of the UPS.



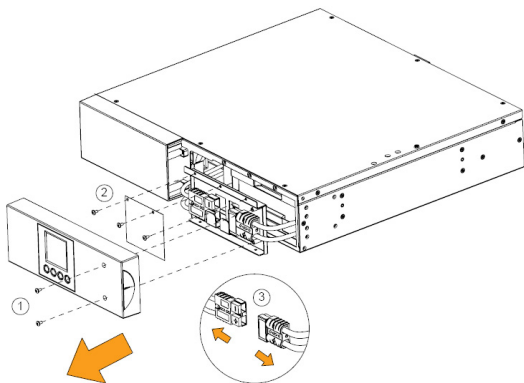
2. Attach dust covers

Insert dust cover into the rackmount ear screw holes that are not being used.

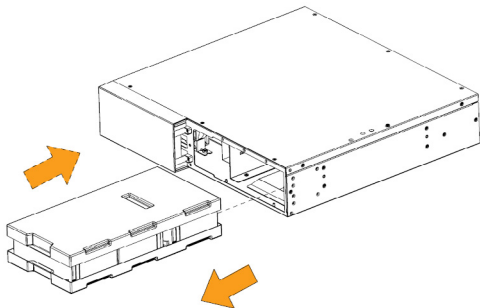


5 Battery Installation and replacement

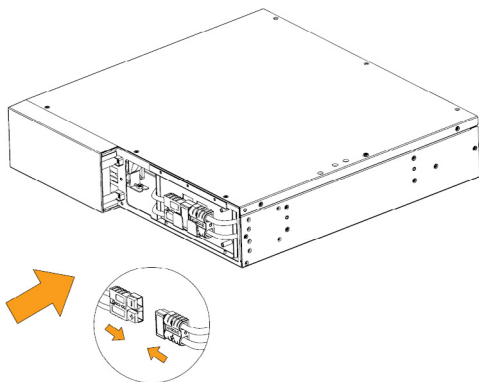
Step 1. Remove the front panel. Remove the retaining screws from the battery bracket and then remove the cover itself. undraw the connectors.



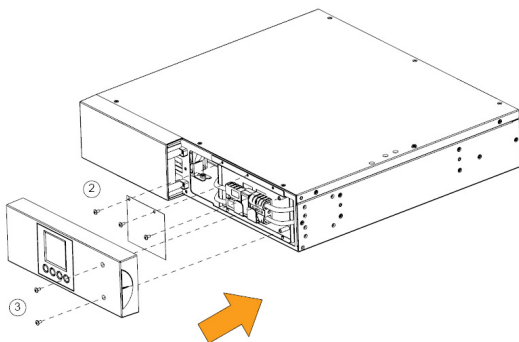
Step 2. Pull the battery tray out slowly. Put the new battery tray back into the compartment after that.



Step 3. Fasten the battery bracket and then insert the connectors. Place the connectors in the bracket.

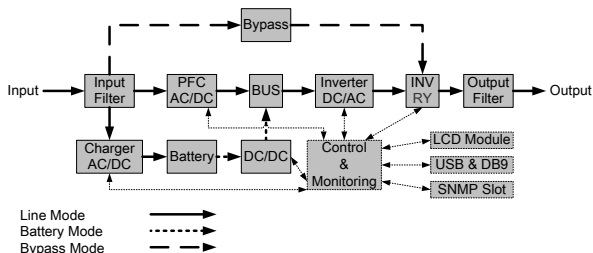


Step 4. Tighten the screws of the battery bracket and front panel.



6 Installing your UPS system

6.1 Hardware installation guide



System block diagram

Step 1. Battery charge loss may occur during shipping and storage. Before using the UPS, it's strongly recommended to charge batteries for four hours to ensure the batteries' maximum charge capacity. To recharge the batteries, simply plug the UPS into an AC outlet.

Step 2. Connect your computer, monitor and any externally-powered data storage device (Hard drive, Tape drive, etc.) into the outlets only when the UPS is off and unplugged. **DO NOT** plug a laser printer, copier, space heater, vacuum, paper shredder or other large electrical device into the UPS. The power demands of these devices will overload and possibly damage the unit.

CAUTION



Do **NOT** plug **LASER PRINTERS** into any of the outlets.



Do **NOT** plug any **SURGE STRIPS** into any of the outlets.

Step 3. Press the ON switch to turn the UPS on. If an overload is detected, an audible alarm will sound and the UPS will continuously emit one beep per second. For resetting the unit, unplug some equipment from the outlets. Make sure your equipment carries a load current within the unit's safe range, (refer to the technical specifications).

Step 4. This UPS is equipped with an auto-charge feature. When the UPS is plugged into an AC outlet, the battery will automatically charge, even when the unit is switched off.

Step 5. To maintain an optimal battery charge, leave the UPS plugged into an AC outlet at all times.

Step 6. Before storing the UPS for an extended period of time, turn the unit OFF. Then cover it and store it with the batteries fully charged. Recharge the batteries every three months to ensure good battery capacity and long battery life. Maintaining a good battery charge will help prevent possible damage to the unit from battery leakage.

Step 7. The UPS has one USB port and one Serial port that allows connection and communication between the UPS and any attached computer running the Power Master software. The UPS can control the computer's shutdown during a power outage through the connection while the computer can monitor the UPS and alter various programmable parameters.

NOTE: *Only one communication port can be used at a time. The port not in use will automatically become disabled or the serial port will be disabled if both ports are attached.*

Step 8. EPO (Emergency Power Off) / ROO (Remote On/Off) Port: EPO/ROO ports allow administrators the capability to connect the UPS unit to customer-supplied EPO/ROO switches. If EPO is enabled, these installations give operators a single access point to immediately power-off all equipment connected to the UPS during an emergency. If ROO is enabled, these installations give operators a access point to turn on/off UPS remotely.

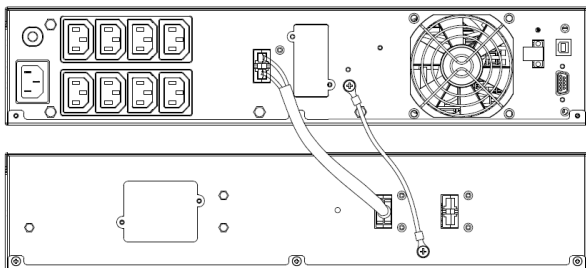
Step 9. To avoid electric shock, turn the unit OFF and disconnect the unit from utility power before hardwiring the UPS (IN/OUT power cord). The IN/OUT power cord **MUST** be grounded.

6.2 Software installation guide

Install software: For optimal computer system protection, install the UPS monitoring software from <http://www.powermonitor.software/> to fully configure UPS shutdown.

7 Connecting a battery pack module (optional)

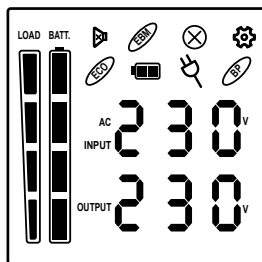
Follow the image below in order to connect the battery pack with Aster 1K, Aster 2K and Aster 3K UPS with included cable.










⚠ IMPORTANT NOTE









Please be aware that UPS models Aster 1K, Aster 2K and Aster 3K support only **ONE** Battery module.

8 LCD display indicators



8.1 Icon descriptions

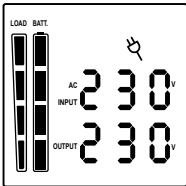
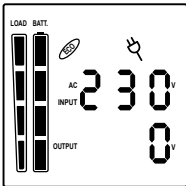
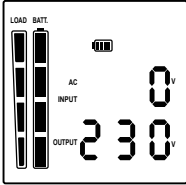
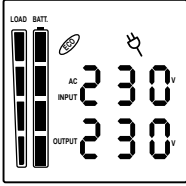
Icon	Description
	MUTE: This icon appears whenever the UPS is in silent mode. The alarm does not beep during silent mode until the battery reaches low capacity.
	EBM: Indicate the numbers of external battery module.
	SCHEDULE: Users can setup the schedule to turn on and shut down the computer and UPS through Power Master software. The LCD display will show how much time is left before the UPS will turn back on or shut down.
	FAULT: This icon appears if there is a problem with the UPS.
	Setting mode
	ECO mode
	Battery mode <i>NOTE: When this icon is blinking, the batteries need to be replaced.</i>

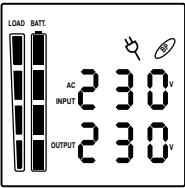
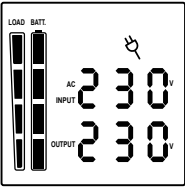
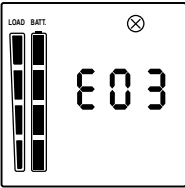
	<p>Line mode: lighting Converter mode: blinking</p>
	<p>Bypass mode</p>
<p>LOAD</p> 	<p>LOAD</p>  <p>100 75 50 25 0</p>
<p>BATT.</p> 	<p>BATT.</p>  <p>100 75 50 25 0</p> <p>Battery capacity: Bat mode: battery capacity</p> <p>Line mode:</p> <ol style="list-style-type: none"> 1. Battery charging: cycle lighting 2. Battery full charged: lighting 3. Line mode without charger: battery capacity
	<p>OUTPUT Program: indicate the status of outlets, if NCL outlets is enabled, the icon will be lighting, if NCL outlets is disable, the icon will be off.</p>
	<p>OUTPUT Program: indicate the status of outlets, if critical output outlets is enabled, the icon will be lighting, if it is disabled, the icon will be off.</p>

*) When operating in ECO Mode, the efficiency of UPS is higher than that in online mode, but transfer time should not be 0ms

**) When operating in Converter Mode, the frequency of output should be always 50Hz or 60Hz, but load capacity will be derated.

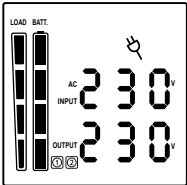
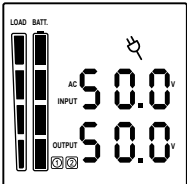
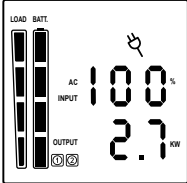
8.2 LCD screen - UPS status

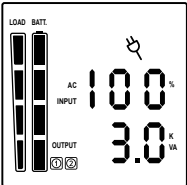
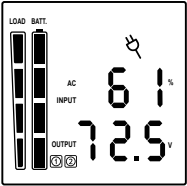
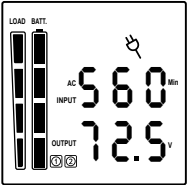
Operation mode	Description	LCD display
Line mode	Utility will provide energy to loads. It will also charge the battery at the same time.	
Standby mode	UPS is powered off without output power, but the battery still can be charged.	
Battery mode	The unit will provide output power from battery.	
ECO mode	When the input voltage is within voltage regulation range, UPS will bypass voltage to output for energy saving.	

<p>Bypass mode</p>	<p>When the input voltage is within bypass voltage range, UPS will bypass voltage to output.</p>	
<p>Converter mode ⚡ is blinking</p>	<p>When input frequency is within 40Hz to 70Hz, the UPS can be set at a constant output frequency, 50Hz or 60Hz.</p>	
<p>Fault mode</p>	<p>The UPS is in fault mode, and user can check the fault code on the LCD display.</p>	

8.3 LCD displays

The UPS LCD can display 6 informations pages. You can navigate these pages by pressing Enter key.

Operation mode	Description	LCD display
1(default)	Left: AC INPUT(Voltage)V Right: OUTPUT(Voltage) V	
2	Left: INPUT (Frequency) Hz Right: OUTPUT (Frequency) Hz	
3	Left: W load percent (%) Right: OUTPUT [nnn] W	

4	<p>Left: VA load percentage (%)</p> <p>Right: OUTPUT [nnn] VA</p>	 <p>The LCD display shows a battery level indicator on the left. The main display area shows 'AC INPUT' with a value of '100%' and 'OUTPUT' with a value of '3.0' followed by a 'K VA' unit. There are also small icons for a light bulb and two numbered circles (1 and 2).</p>
5	<p>Left: Battery capacity percentage(%)</p> <p>Right: Battery voltage(v)</p>	 <p>The LCD display shows a battery level indicator on the left. The main display area shows 'AC INPUT' with a value of '61%' and 'OUTPUT' with a value of '72.5' followed by a 'V' unit. There are also small icons for a light bulb and two numbered circles (1 and 2).</p>
6	<p>Left: Backup Time (min)</p> <p>Right: Battery voltage (v)</p>	 <p>The LCD display shows a battery level indicator on the left. The main display area shows 'AC INPUT' with a value of '560' followed by a 'Min' unit, and 'OUTPUT' with a value of '72.5' followed by a 'V' unit. There are also small icons for a light bulb and two numbered circles (1 and 2).</p>

8.4 Event ID descriptions

Event ID	Description of Cause
E01	Bus Start Fail: DC-DC converter or bus sensing circuit failed.
E02	Bus Volt High: DC-DC converter failed.
E03	Bus Volt Low: DC-DC converter failed.
E04	Bus Unbalanced: DC-DC converter failed.
E06	INV Start Fail: Inverter circuit failed.
E07	INV Volt High: Inverter circuit or output voltage sensing circuit failed.
E08	INV Volt Low: The load may be too heavy or inverter circuit failed.
E09	INV Short: The inverter circuit failed.
E11	Bat Volt High: The external battery module connection is wrong, or the charger failed.
E12	Bat Volt Low: Batteries failed.
E14	Over Load: UPS is overloaded.
E18	Fan Fail: The ventilation hole has been covered, or the fans can't work.
E19	Over Temperature: High ambient temperature, or the ventilation hole has been covered.
A56	Bat Volt Low: Battery voltage is low.
A57	Bat Cap Low: Battery capacity is low.
A59	Bat Disconnect: Battery is disconnected.
A60	Overcharge: Charger voltage is high.
A61	Charger Fail: Charger is failed.
A62	Bat Bad: Battery failed.

A64	Over Load Warning: UPS is overload.
A66	EPO Off: Missing the EPO connection
A68	High Temperature: High ambient temperature, or the ventilation hole has been covered. This is shown only when start up UPS.
A69	Fan Lock: fans can't work because of lock.

8.5 Button operation



Button	Operation Description
ON	Press this button to turn on UPS. In line mode, ECO mode, or converter mode, press the "ON" button for 5 seconds to activate the battery test.
OFF	Press this button to turn off UPS.*
ENTER	Press this button simultaneously for 5 seconds to get into setting mode while in bypass mode, or standby mode. In setting mode, press this button to confirm selection, or press this button for long time to exit setting mode and saving changes.
ESC	In setting mode, press this button to display next selection, or press this button for long time to exit setting mode without saving changes. Press the "ESC" button simultaneously for 5 seconds to disable and enable buzzer alarm.
ENTER + ESC	Switch to bypass mode: When the main power is normal, press these two buttons simultaneously for 5 seconds, then UPS will enter to bypass mode.
ON + ENTER	Rotate the LCD display: if user want to change LCD to tower display, press these two buttons simultaneously for 5 seconds.

8.6 LCD settings configuration

There are 10 UPS settings that can be configured by the user.

1. Press the “ENTER” button simultaneously for 5 seconds to activate the setting mode. The first configuration parameter will be displayed on the LCD screen.

NOTE!

The manual settings programming mode can ONLY be invoked while UPS is in Bypass mode or Standby mode. To make UPS on Standby mode or Bypass mode, connect utility power to UPS and do not turn on UPS.

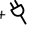
2. Press the “ENTER” button to select the setting you want to configure.
3. Press the “ENTER” buttons to scroll through the different parameters and select the parameter you want.
4. Press the “ESC” button for 5 seconds to cancel and exit setting mode. Press the “ENTER” button for 5 seconds to save all the settings you just do and exit setting mode.
5. In any mode(Except setting mode), Press the “ESC” button simultaneously for 5 seconds to disable and enable buzzer alarm


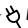
Setting item	Configure Submenu	Available Settings	Default Setting	LCD Display
001	Output Voltage	= [208V] [220V] [230V] [240V]	230V	001 230
002	Output Frequency	= [50Hz][60Hz]	50Hz	002 50
003	ECO Mode *	[0%] (Disable) [10%][15%] (Enable)	0%	003 0
004	Bypass Mode **	[DIS] (Disable) [ENA] (Enable)	Enable	004 EnA

005	Converter Mode	[DIS] (Disable) [ENA] (Enable)	Disable	005 d.5
006	EPO/ ROO***	[EPo] / [Roo]	EPO	006 EPO
007	EBM Number****	[0bP]/[1bP]/[2bP]/[3bP]/ [4bP]/[5bP]/[6bP]/[7bP]/ [8bP]/[9bP] / [AbP]	0 (for Standard models) / 1 (for Long-run models)	007 0bP
008	Bypass when UPS is Off	[DIS] (Disable) [ENA] (Enable)	Disable	008 d.5
009	Buzzer	[DIS] (Disable) [ENA] (Enable)	Enable	009 EnR
010	NCL Output*****	[DIS] (Disable) [ENA] (Enable)	Enable	010 EnR

*) When operating in ECO Mode, the efficiency of UPS is higher than that in online mode, but transfer time should not be 0ms.

**) When operating in Converter Mode, the frequency of output should be always 50Hz or 60Hz, but load capacity will be derated.

*) This function would be set as 0% when Converter Mode is enabled.  +  Icon is lighting during setting ECO mode.

**) UPS has no bypass when Converter Mode is enabled.  +  Icon is lighting during setting bypass mode.

**) ROO (Remote On/Off): If ROO is enabled, UPS can be turn on/off by the ROO port. If ROO port is disconnected, UPS will be turned off. If ROO port is connected, UPS will be turned on when the utility is normal.

****) 1. UPS cannot detect the numbers of external battery automatically, so manual input from user is necessary.

2. For -Standard models, the maximum number is 1. Option [AbP] means 10.

*****) When NCL Output is enable, user can control non-critical outlets in Power Master. If NCL Output is disable, UPS does not have this function.

9 Troubleshooting

Problem	Possible cause	Solutions
Warning		
O/P Overload	Your equipment requires more power than the UPS can provide. If the UPS is in Line Mode then it will transfer to Bypass Mode; if the UPS is in Battery Mode it will shutdown.	Shut off non-essential equipment. If this solves the overload problem, the UPS will transfer to normal operation.
Battery Mode	UPS is operating on battery power. Alarm sounding every 10 seconds	Save your data and perform a controlled- shutdown.
Battery Low	UPS is operating on battery power and will be shutting down soon due to extremely low battery voltage. Alarm sounding every 2 seconds	UPS will restart automatically when acceptable utility power returns.
BAT Disconnected/ Battery Replace	Missing battery power.	Check battery connector when use battery packages.
	UPS has failed in Battery Test.	Contact technical support to replace the battery.
Charger Failure	Charger has failed.	<ol style="list-style-type: none"> 1. Shut down UPS and turn off AC input. 2. Contact the dealer for repair.
EPO OFF	Missing the EPO connection.	Check the EPO connection.

Fault		
Over Temperature	High ambient temperature.	<ol style="list-style-type: none"> 1. Shut down UPS. Restart UPS to Check the fan for operation and if the ventilation hole has been covered 2. Contact the dealer for repair.
Output Short	Output short circuit.	<ol style="list-style-type: none"> 1. Shut down UPS 2. Your attached equipment may have problems, please remove them and check again.
High O/P V	Output voltage is too high.	<ol style="list-style-type: none"> 1. Shut down UPS 2. Contact the dealer for repair.
Low O/P V	Output voltage is too low.	
Bus Fault	Internal DC bus voltage is too high or too low.	
Other		
Startup fail	High temperature, or fan fail, or battery low, or EPO off.	<ol style="list-style-type: none"> 1. Restart UPS and press the "ESC" button to view the warning event. Then refer to the solution for the warning. 2. Contact the dealer for repair.



Disposal of Old Electrical & Electronic Equipment

(Applicable in the European Union and other European countries with separate collection systems)

This symbol on the product or on its packaging indicates that this product shall not be treated as household waste.

Instead it shall be handed over to the applicable collection point for the recycling of electrical and electronic equipment.

By ensuring this product is disposed of correctly, you will help prevent potential negative consequences for the environment and human health, which could otherwise be caused by inappropriate waste handling of this product.

The recycling of materials will help to conserve natural resources.

Mulțumim pentru că ați ales produsele noastre!

Vă rugăm citiți cu atenție manualul de utilizare înainte de a pune în funcțiune acest produs.

nJoy este un brand de soluții UPS dedicate protecției și rezervei de energie din diferite medii de utilizare, de la rezidențial la industrial

UPS-ul va protejeza echipamentele electronice de daune fizice și oferă o baterie de rezervă pentru a preveni pierderile de date în cazul intreruperilor accidentale ale energiei electrice.

Din seria **Aster** fac parte următoarele modele::

1000 VA

Aster 1K

2000 VA

Aster 2K

3000 VA

Aster 3K

1 Conținut cutie

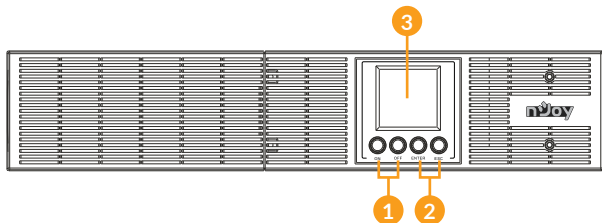
- ✓ Unitatea UPS
- ✓ Cablu de alimentare
- ✓ Cablu USB
- ✓ Șuruburi
- ✓ Dopuri apărătoare de praf
- ✓ Accesorii rack
- ✓ Manual de utilizare
- ✓ Certificat de garanție

NOTĂ!

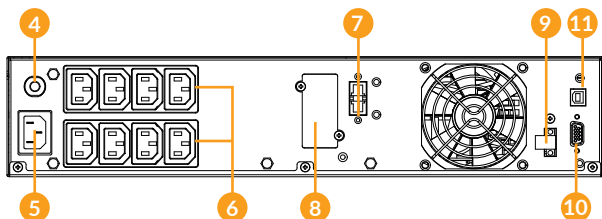
Înainte de instalare inspectați unitatea. Fiți siguri că nimic din interiorul pachetului nu este stricat. Țineți pachetul original într-un loc sigur pentru o utilizare ulterioară.

2 Prezentarea produsului

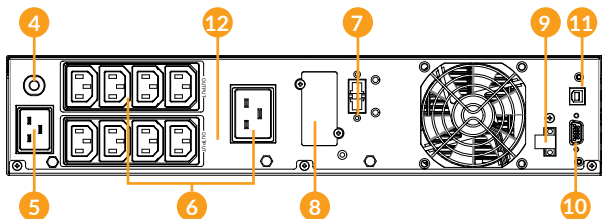
Aster 1K/2K/3K - Vedere din față



Aster 1K/2K - Vedere din spate



Aster 3K - Vedere din spate



- 1. Buton de pornit/oprit:** Butonul principal al UPS-ului.
- 2. Butoane de funcționalitate:** Navigare sus/jos, selectează și anulează.
- 3. Afișaj LCD:** Indică informații despre stare, setari și evenimente.
- 4. Siguranța pentru curentul de intrare:** T Siguranța protejează în caz de supraîncărcare.
- 5. Priza pentru curentul de alimentare:** Conectează cablul de alimentare la o priză cu împământare.
- 6. Prize protejate și conectate la baterie:** Oferă back-up și protecție la supratensiune. Continuă să alimenteze echipamentele conectate la prize o perioadă de timp în timpul unei căderi de tensiune.
Ieșiri critice/non-critice: Permit crearea de priorități pentru sarcini ceea ce asigură faptul că rezerva de putere a bateriilor va fi transferată acelor ieșiri în caz de pană de curent. Produsul poate fi programat să ofere timp de lucru suplimentar echipamentelor conectate la ieșirile critice, în același timp oprind pe cele conectate la ieșirile non critice după o perioadă de timp determinată.
- 7. Conector modul baterii pentru exitinderea duratei de funcționare:** Servește pentru conectarea modulelor de baterii adiționale.
- 8. Loc de card SMNP/HTTP:** Loc de card pentru a instala (opțional) un card SMNP pentru a avea acces de la distanță.
- 9. Conector EPO:** Activează oprirea de urgență de la distanță.
- 10. Port Serial:** UPS-ul are un port USB și un port serial care permite comunicarea dintre unitatea UPS și computerul atașat pe care este instalat programul de management Power Master. UPS-ul poate controla oprirea computerului în cazul unei căderi prelungite de tensiune, iar computerul poate monitoriza diferiți parametri ai UPS-ului.
- 11. Port HID USB:** Permite UPS-ului să apară în Windows ca o baterie. În momentul întreruperii curentului ai opțiunea de a vedea nivelul bateriei, care este încărcarea plus alți parametri. Se pot folosi opțiunile din Windows legate de controlul bateriei. Pentru opțiuni extinse se recomandă instalarea software-ului PowerMaster.
- 12. Întrerupător ieșire:** Oferă protecție la supraîncărcare și alte defecte.

3 Avertizări de siguranță

Vă rugăm să respectați toate avertismentele și instrucțiunile de utilizare din acest manual. Păstrați acest manual în mod corespunzător și citiți cu atenție următoarele instrucțiuni înainte de instalarea aparatului. Nu folosiți această unitate înainte de a citi toate instrucțiunile de siguranță și de utilizare cu atenție:

Transport

- Vă rugăm să transportați sistemul UPS numai în ambalajul original pentru a-l proteja împotriva șocurilor.

Pregătire

- Condensul poate apărea dacă sistemul UPS este mutat dintr-un mediu rece în unul cald. Sistemul UPS trebuie să fie uscat înainte de a fi instalat. Vă rugăm să alocați cel puțin două ore pentru ca sistemul UPS să se aclimatizeze cu mediul unde doriți să îl instalați.
- Nu instalați sistemul UPS lângă apă sau în medii umede.
- Nu instalați sistemul UPS acolo unde ar fi expus la lumina directă a soarelui sau în apropierea surselor de încălzire.
- Nu blocați orificiile de ventilație ale carcasei UPS-ului.

Instalare

- Nu conectați aparate sau dispozitive care ar suprasolicita sistemul UPS (de exemplu: imprimantele laser) la mufele de ieșire UPS.
- Instalați cablurile în așa fel încât nimeni să nu calce pe ele.
- Nu conectați aparate de uz casnic, cum ar fi uscătoare de păr la prizele de ieșire UPS.
- UPS-ul poate fi folosit de orice persoană, fără a necesita nici o experiență anterioară.
- Conectați sistemul UPS numai la o priză cu împământare, care trebuie să fie ușor accesibilă și aproape de sistemul UPS.
- Vă rugăm să folosiți numai cabluri de alimentare testate VDE și cu marcaj CE (de exemplu: cablul de alimentare de la computer) pentru a conecta sistemul UPS la rețeaua electrică a clădirii.

- Vă rugăm să folosiți numai cabluri de alimentare testate VDE și cu marcaj CE pentru a conecta sarcinile la sistemul UPS.
- La instalarea echipamentului, trebuie să vă asigurați că totalul curentului de scurgere al UPS și al dispozitivelor conectate nu depășește 3,5 mA.

Operare

- Nu deconectați cablul de alimentare de la sistemul UPS sau de la priza clădirii în timpul utilizării, deoarece acest lucru ar anula împământarea de protecție a sistemului UPS și a tuturor sarcinilor conectate.
- Sistemul UPS are propria sursă de curent intern (baterii). Prizele de ieșire sau terminale de ieșire pe categorii pot fi încărcate electric, chiar dacă sistemul UPS nu este conectat la sistemul electric al clădirii.
- Pentru a deconecta complet sistemul UPS, apăsați mai întâi butonul OFF/Enter pentru a deconecta sursa de alimentare.
- Nu lăsați să ajungă în interiorul unității UPS orice obiect străin sau lichide.

Întreținere, service și defecte

- Sistemul UPS funcționează cu tensiuni periculoase. Reparațiile pot fi efectuate numai de către personalul de întreținere calificat.
- Atenție - risc de șoc electric. Chiar și după ce aparatul este deconectat de la rețeaua electrică, componentele din interiorul sistemului UPS sunt încă conectate la baterie și sunt încărcate electric și periculoase.
- Înainte de a efectua orice fel de service și / sau întreținere, deconectați bateriile și verificați să nu existe curent sau tensiune periculoasă în terminalele condensatorului de mare capacitate, cum ar fi condensatorul BUS.
- Numai persoanele care sunt familiarizate în mod adecvat cu baterii și cu măsurile de precauție necesare pot înlocui bateriile și supraveghea operațiunile. Persoane neautorizate trebuie să fie ținute departe de baterii sistemului UPS.

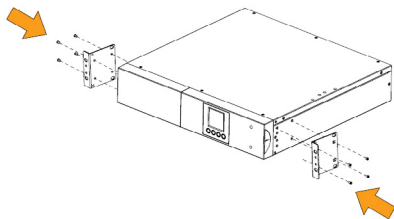
- **Atenție - risc de șoc electric.** Circuitul bateriei nu este izolat de tensiunea de intrare. Tensiuni periculoase pot apărea între bornele bateriei și pământ. Înainte de a atinge, vă rugăm să verificați că nu există tensiune!
- **Bateriile pot provoca șoc electric.** Vă rugăm să luați măsurile de precauție specificate mai jos, precum și orice alte măsuri necesare atunci când se lucrează cu bateriile sistemului: dați-vă jos ceasurile de mână, inelele și alte obiecte metalice și folosiți doar instrumente cu mânere izolate.
- **La schimbarea bateriilor, instalați același număr și același tip de baterii.**
- **Nu încercați să distrugeți bateriile prin arderea lor.** Acest lucru poate cauza explozia bateriilor.
- **Nu deschideți sau distrugeți bateriile.** Scurgerea electroliților poate provoca leziuni la nivelul pielii și ochilor și poate fi toxic.
- **Vă rugăm să înlocuiți siguranța numai cu același tip de siguranță și amperaj pentru a evita pericolele de incendiu.**
- **Nu dezamblați sistemul UPS.**

4 Instalarea UPS-ului

4.1 Instalare în dulap tip rack

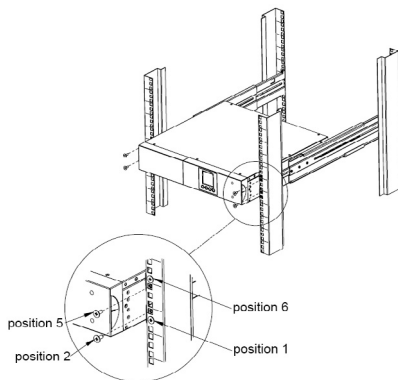
1. Instalarea urechilor de fixare în rack

Atașați cele două urechi de montare la UPS utilizând șuruburile livrate model M4X8L*8 buc.



2. Instalarea UPS-ului în rack

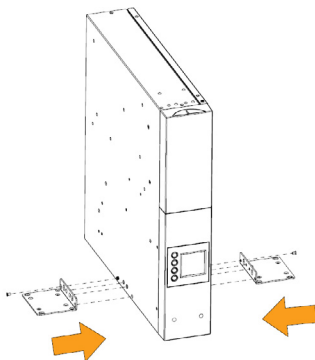
Așezați UPS-ul pe o suprafață plană și stabilă cu partea frontală către dvs. Prindeți UPS-ul în rack cu cele patru șuruburi M5X12L în partea din față a rack-ului. (aflate în pozițiile 2 și 5).



4.2 Instalarea în mod turn

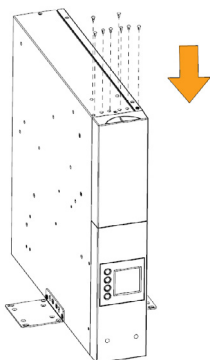
1. Atașați suportul de bază

Strângeți șuruburile suportului de bază (M4X8L*8 buc.) (urechile pentru montare în rack) pe partea de jos a UPS-ului



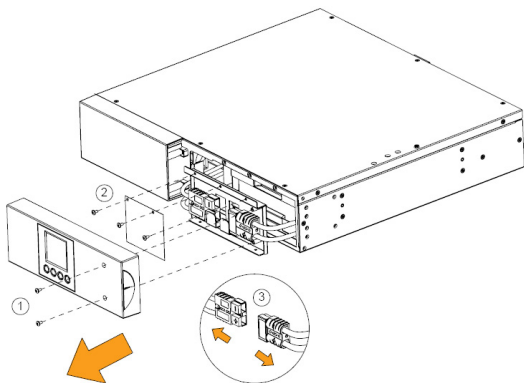
2. Atașați apărătoarele de praf

Introduceți dopurile apărătoare de praf în găurile neocupate de șuruburi.

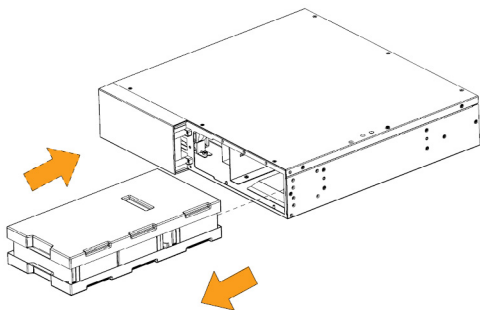


5 Instalarea și înlocuirea bateriilor

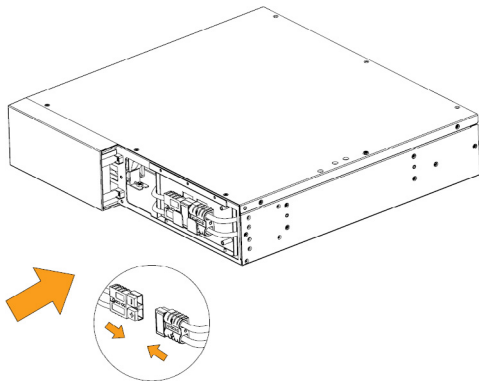
Pasul 1. Îndepărtați capacul frontal. Îndepărtați șuruburile de fixare a colierului bateriilor și apoi îndepărtați capacul și desfaceți conectorii.



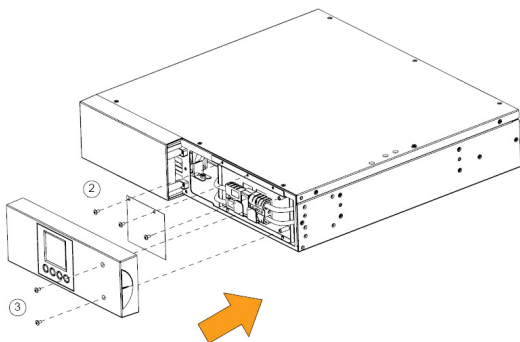
Pasul 2. Trageți ușor tava cu baterii înspre afară. Așezați noua tavă cu baterii înapoi în compartiment.



Pasul 3. Fixați colierul pentru baterii și apoi refaceți conexiunile. Așezați conectorii în interiorul colierului.



Pasul 4. Strângeți șuruburile colierului și ale panoului frontal.



6 Instalarea sistemului UPS

6.1 Ghid de instalare hardware

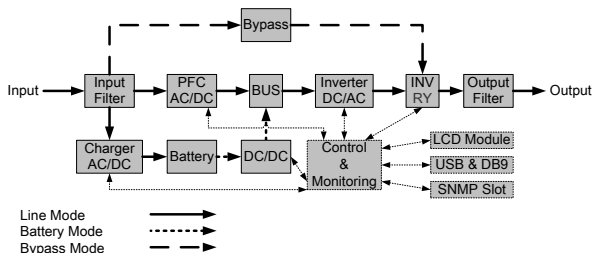


Diagrama sistemului

Pasul 1. Bateria se poate descărca în timpul transportului și depozitării. Înainte de folosirea UPS-ului recomandăm încărcarea bateriilor pentru cel puțin 4 ore pentru a asigura funcționarea optimă. Pentru a încărca bateriile doar conectează cablul de alimentare la priză.

Pasul 2. Conectați computerul, monitorul și orice alt device la prizele UPS-ului oprit. **NU CONECTAȚI** imprimantă cu laser, copiator, surse de căldură, aspirator, distrugător de documente sau orice alt echipament electric mare. Consumul mare al acestor echipamente poate dăuna UPS-ului.

⚠ ATENȚIE



NU conectați imprimante laser la nici una din prizele UPS-ului.



NU conectați alte ACCESORII CU PROTECȚIE la niciuna din prize.

Pasul 3. Apăsați butonul de ON pentru a porni UPS-ul. Dacă o supraîncărcare este detectată, o alarmă va suna iar UPS-ul va emite acest semnal o dată la fiecare secundă. Pentru a da reset, scoateți din priză câteva echipamente. Asigurați-vă că echipamentele conectate nu depășesc valoarea maximă acceptată de UPS (consultați specificațiile UPS-ului).

Pasul 4. Acest UPS este dotat cu funcția de auto-charge (auto-încărcare). Când UPS-ul este conectat la priza din perete bateria se încarcă automat, chiar și în cazul în care este oprit.

Pasul 5. Pentru a menține un nivel de încărcare al bateriilor acceptabil lăsați UPS-ul în priză tot timpul.

Pasul 6. Înainte de a depozita UPS-ul pentru o perioadă mai lungă de timp, opriți UPS-ul și lăsați-l cu bateriile încărcate maxim. Reîncărcați bateriile la fiecare 3 luni pentru a asigura buna lor funcționare și durată de viață. Menținând bateriile la un nivel optim de încărcare veți preveni orice deteriorare a UPS-ului.

Pasul 7. UPS-ul are un port USB și un port serial care permite comunicarea dintre unitatea UPS și computerul atașat pe care este instalat programul de management Power Master. UPS-ul poate controla oprirea computerului în cazul unei căderi prelungite de tensiune, iar computerul poate monitoriza diferiți parametri ai UPS-ului.

NOTĂ: *Porturile UPS-ului pot fi folosite doar pe rând. Portul care nu este folosit se va dezactiva automat, iar dacă se încearcă folosirea ambelor porturi, cel serial va fi dezactivat.*

Pasul 8. Portul EPO (Emergency Power Off) / ROO (Remote On/Off) Portul EPO/ROO permit conectarea UPS-ului la întrerupătoare EPO/ROO. Dacă EPO e activ, această configurație oferă operatorilor un punct de acces unic de la care să se poată opri imediat toate echipamentele conectate la UPS în caz de urgență. Dacă ROO este activ, această facilitate permite operatorilor oprirea de la distanță a UPS-ului.

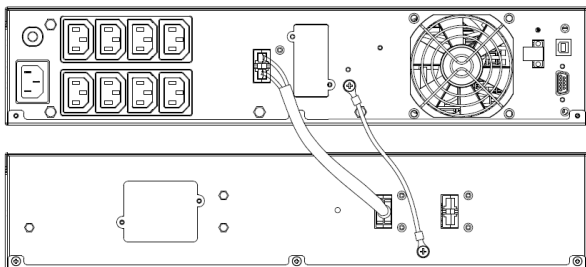
Pasul 9. Pentru a evita electrocutarea opriți UPS-ul și scoateți-l din priză înainte de a întreprinde orice acțiune. Când atașați cablul de alimentare asigurați-vă că este cu împământare.

6.2 Ghid de instalare software

Instalați programul de management: pentru o configurare completă a UPS-ului este recomandată instalarea programului de management de la următorul link: <http://www.powermonitor.software/>

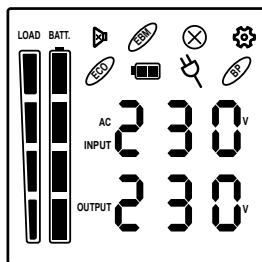
7 Conectarea cabinetului de baterii la UPS (opțional)

Folosind cablurile incluse, conectați cabinetul de baterii la UPS-ul Aster 1K, Aster 2K sau Aster 3K conform imaginii de mai jos.


















⚠ NOTĂ IMPORTANTĂ

Vă rugăm să țineți cont de faptul că modelele de UPS Aster 1K, Aster 2K și Aster 3K suportă doar un modul de baterii.



8.1 Descriere pictograme

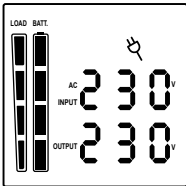
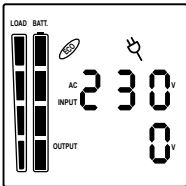
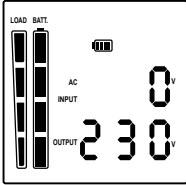
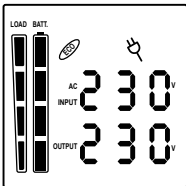
Pictogramă	Descriere
	MUTE: Această icoană apare atunci când UPS-ul este pe modul silențios. Alarma nu va suna în acest mod, cu excepția cazului când bateriile vor fi descărcate complet.
	EBM: Indică numărul modulelor de baterii externe.
	PROGRAMARE: Utilizatorii pot programa pornirea și oprirea calculatorului și a UPS-ului utilizând programul PowerMaster. Pe ecranul LCD se va afișa timpul rămas înainte ca UPS-ul să repornească sau să se oprească.
	EROARE: Această icoană va fi afișată dacă a apărut vreo eroare în legătură cu UPS-ul.
	Setări
	Mod ECO
	Mod Bateria <i>NOTĂ: Când această icoană clipește, bateriile trebuie înlocuite.</i>

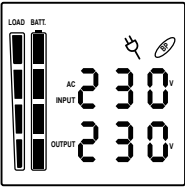

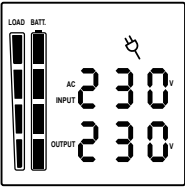
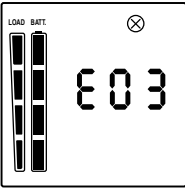
	<p>Mod linie: aprins Mod convertor: clipește</p>
	<p>Mod Bypass</p>
<p>LOAD</p> 	<p>LOAD</p> 
<p>BATT.</p> 	<p>BATT.</p>  <p>Capacitate baterie: Mod baterie: capacitate baterie</p> <p>Mod linie:</p> <ol style="list-style-type: none"> 1. Încărcare baterii: iluminare ciclică 2. Baterie încărcată complet: aprins 3. Mod linie fără încărcare: capacitate baterie
	<p>Program ieșire: indică starea ieșirilor, dacă sunt active ieșirile NCL, icoana va fi aprinsă, dacă acestea nu sunt active, icoana este stinsă.</p>
	<p>Program ieșire: indică starea ieșirilor, dacă sunt active ieșirile critice, icoana va fi aprinsă, dacă acestea nu sunt active, icoana este stinsă.</p>

*) Când operează în mod ECO randamentul UPS-ului este mai mare decât în mod online dar timpul de transfer nu va fi zero.

**) La operarea în modul Convertor, frecvența la ieșire va fi întotdeauna 50 Hz/60 Hz, însă capacitatea de încărcare va fi mai mică.

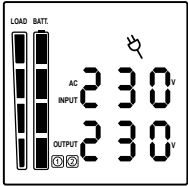
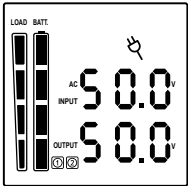
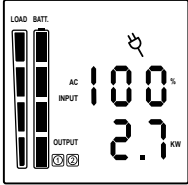
8.2 Stare UPS

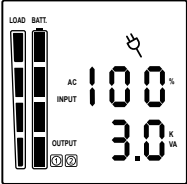
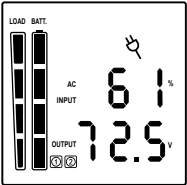
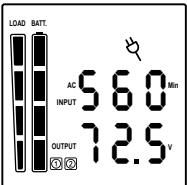
Mod operare	Descriere	Ecran LCD
Mod conectat	Curentul de la rețea va alimenta echipamentele conectate. Va încărca bateria în același timp.	
Mod În Așteptare (Stand-By)	UPS is powered off without output power, but the battery still can be charged.	
Mod Baterie	UPS-ul va continua să alimenteze echipamentele conectate de la baterie.	
Mod ECO	Când curentul de alimentare este în plaja acceptată, UPS va face bypass pentru a economisi energie.	

<p>Mod Bypass</p>	<p>Când curentul de intrare este în plaja acceptată de bypass, UPS va funcționa în acest mod.</p>	
<p>Mod convertor  clipește</p>	<p>Când frecvența de intrare este setată între 40Hz – 70Hz, frecvența de ieșire a UPS-ului poate fi setată la 50Hz sau 60Hz.</p>	
<p>Mod Eroare</p>	<p>UPS-ul este în mod eroare. Codul specific de eroare apare pe LCD.</p>	

8.3 Notificări pe ecranul LCD

Ecranul UPS-ului poate afișa 6 pagini de informații. Puteți să navigați între aceste pagini apăsând butonul Enter.

Mod operare	Descriere	Ecran LCD
1(implicit)	Stânga: Intrare AC (tensiune) V Dreapta: Ieșire (tensiune) V	 The LCD display for mode 1 shows two vertical bar graphs on the left labeled 'LOAD' and 'BATT'. On the right, there is a plug icon. Below the plug icon, 'AC INPUT' is displayed with '230 V'. Below that, 'OUTPUT' is displayed with '230 V'. At the bottom left of the display area are two small circular icons with numbers 1 and 2.
2	Stânga: Intrare (Frecvență) Hz Dreapta: Ieșire (Frecvență) Hz	 The LCD display for mode 2 shows two vertical bar graphs on the left labeled 'LOAD' and 'BATT'. On the right, there is a plug icon. Below the plug icon, 'AC INPUT' is displayed with '50.0 Hz'. Below that, 'OUTPUT' is displayed with '50.0 Hz'. At the bottom left of the display area are two small circular icons with numbers 1 and 2.
3	Stânga: Procent încărcare W (%) Dreapta: Ieșire [nnn] W	 The LCD display for mode 3 shows two vertical bar graphs on the left labeled 'LOAD' and 'BATT'. On the right, there is a plug icon. Below the plug icon, 'AC INPUT' is displayed with '100 %'. Below that, 'OUTPUT' is displayed with '2.7 KW'. At the bottom left of the display area are two small circular icons with numbers 1 and 2.

<p>4</p>	<p>Stânga: Procent încărcare VA (%)</p> <p>Dreapta: Ieșire [nnn] VA</p>	 <p>The LCD display shows a battery level indicator on the left. The main display area shows 'AC INPUT' with '100%' and 'OUTPUT' with '3.0 KVA'. There are also two small circular icons at the bottom.</p>
<p>5</p>	<p>Stânga: Procent capacitate baterie(%)</p> <p>Dreapta: Tensiune baterie (V)</p>	 <p>The LCD display shows a battery level indicator on the left. The main display area shows 'AC INPUT' with '61%' and 'OUTPUT' with '72.5 V'. There are also two small circular icons at the bottom.</p>
<p>6</p>	<p>Stânga: Timp de Backup (min)</p> <p>Dreapta: Tensiune baterie (V)</p>	 <p>The LCD display shows a battery level indicator on the left. The main display area shows 'AC INPUT' with '560 Min' and 'OUTPUT' with '72.5 V'. There are also two small circular icons at the bottom.</p>

8.4 Descriere avertizări

Cod	Descriere
E01	Cedează BUS: Convertorul DC-DC sau circuitul care monitorizează BUS cedează.
E02	Voltaj BUS mare: Convertorul DC-DC cedează.
E03	Voltaj BUS mic: Convertorul DC-DC cedează.
E04	Bus neechilibrat: Convertorul DC-DC cedează.
E06	Cedează INV: Circuitul inverter cedează.
E07	Voltaj mare INV: Circuitul inverter sau circuitul care monitorizează voltajul la ieșire cedează.
E08	Voltaj mic INV: Încărcarea ar putea fi prea mare sau circuitul inverter cedează.
E09	Scurtcircuit INV: Circuitul inverter cedează.
E11	Voltaj mare baterie: Modulul exterior cu baterii este conectat incorect sau charger-ul este defect.
E12	Bat Volt Low: Batteries failed.
E14	Supraincercare: UPS-ul este supraîncărcat.
E18	Ventilator defect: Gura de ventilație a fost acoperită sau ventilatorul nu funcționează.
E19	Temperatura mare: Temperatura ambientală e prea mare sau gura de ventilație este acoperită.
A56	Bat mic: Voltaj mic al bateriei.
A57	Bat Desc: Baterie descărcată.
A59	Bat Decon: Baterie deconectată.
A60	Supraîncărcare: Tensiunea încărcătorului e prea mare.
A61	Eroare încărc: Încărcător defect.
A62	Baterii defecte: Bateriile cedează.
A64	Atenție suprasarcină: UPS-ul este supraîncărcat.
A66	EPO oprit: Conexiunea EPO oprită.

A68	Temperatura mare: Temperatura ambientală e mare sau gura de ventilație este acoperită. Acest avertisment e afișat doar cand UPS-ul pornește.
A69	Ventilatoare blocate: Ventilatoarele nu funcționează, fiind blocate.

8.5 Funcționalitate butoane



Button	Operation Description
ON (Pornit)	Apăsați acest buton pentru a porni UPS-ul. În modul conectat, modul ECO, modul convertor apăsați butonul ON pentru 5 secunde pentru a activa testul de baterie.
OFF (Oprit)	Apăsați acest buton pentru a opri UPS-ul.
ENTER (Intrare)	Apăsați acest buton 5 secunde pentru a intra în setări în modul bypass sau modul în așteptare. În setări, apăsați acest buton pentru a confirma selecția sau apăsați acest buton o perioadă mai lungă pentru a ieși din setări și a salva schimbările.
ESC (Ieșire)	În setări, apăsați acest buton pentru a arăta următoarea selecție sau apăsați acest buton pentru o perioadă mai lungă de timp pentru a ieși din setări fără a salva schimbările. Apăsați ESC pentru 5 secunde pentru a dezactiva/ activa alarma.
ENTER + ESC	Comutați în Modul bypass: când curentul de intrare e în limitele de siguranță apăsați aceste două butoane simultan pentru 5 secunde, apoi UPS-ul va comuta pe modul bypass
ON + ENTER	Rotiți display-ul LCD: Dacă doriți să schimbați afișajul LCD pe verticală, apăsați aceste două butoane simultan, timp de 5 secunde.

8.6 Configurare setări ecran LCD

Aceste 10 setări ale UPS-ului pot fi configurate de user.

1. Apăsați și mențineți butonul ENTER pentru 5 secunde pentru a accesa setările. Primul parametru de configurat va fi afișat pe ecran.

NOTĂ!

Setările manuale pot fi făcute doar în modul Bypass sau În Așteptare. Pentru a pune UPS-ul în aceste 2 moduri, conectați-l la curentul de rețea și nu îl porniți.


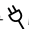
2. Apăsați butonul ENTER pentru a selecta ceea ce doriți să configurați.
3. Apăsați butonul ENTER pentru a naviga printre diferiți parametri și pentru a-i selecta.
4. Apăsați butonul ESC timp de 5 secunde pentru a anula și ieși din setări. Apăsați ENTER timp de 5 secunde pentru a salva toate modificările făcute și a ieși din setări.
5. În orice mod (exceptând Setări), apăsați ESC timp de 5 secunde pentru a activa sau dezactiva alarma sonoră.

Setare	Submeniu configurare	Setări disponibile	Setări implicite	Ecran LCD
001	Voltaj la ieșire	= [208V] [220V] [230V] [240V]	230V	001 230
002	Frecvență de ieșire	= [50Hz][60Hz]	50Hz	002 50
003	Modul ECO *	[0%] (Dezactivează) [10%][15%] (Activează)	0%	003 0
004	Modul Bypass **	[DIS] (Dezactivează) [ENA] (Activează)	Activează	004 EnR
005	Mod Convertor	[DIS] (Dezactivează) [ENA] (Activează)	Dezactivează	005 d.S

006	EPO/ ROO***	[EPO] /[ROO]	EPO	006 EPO
007	Număr EBM****	[0bP]/[1bP]/[2bP]/[3bP]/ [4bP]/[5bP]/[6bP]/[7bP]/ [8bP]/[9bP] /[AbP]	0 (pt modelul standard) / 1 (pt modelele long-run)	007 0bP
008	Bypass când UPS este oprit	[DIS] (Dezactivează) [ENA] (Activează)	Dezactivat	008 d.S
009	Alarmă	[DIS] (Dezactivează) [ENA] (Activează)	Activat	009 EnA
010	lesire NCL*****	[DIS] (Dezactivează) [ENA] (Activează)	Activat	010 EnA

*) Când UPS-ul funcționează în Modul ECO eficiența lui este mai mare decât în mod obișnuit, dar timpul de transfer nu va fi 0ms.

**) Când UPS-ul funcționează în Modul Convertor, frecvența de ieșire trebuie să fie între 50Hz și 60 Hz, dar capacitatea de încărcare va scădea.

*) Această funcție va fi setată la 0% în modul Convertor. Pictogramele  +  luminează în modul ECO.

**) UPS-ul nu poate face bypass în Modul Convertor. Pictogramele  +  luminează în modul bypass.

***) ROO (Remote On/Off): Dacă ROO este activ, UPS-ul poate fi pornit/oprit prin portul ROO. Dacă portul ROO este deconectat, UPS-ul va fi oprit. Dacă portul ROO este conectat, UPS-ul va porni dacă tensiunea la rețea este normală.

****) 1. UPS -ul nu poate detecta automat numărul de baterii externe, astfel că este necesară introducerea manuală a informației.

2. Pentru modelele Standard, numărul maxim este 1. Opțiunea [AbP] înseamnă 10.

*****) Când este activă opțiunea, ieșirile non critice pot fi controlate din PowerMaster. Dacă opțiunea este dezactivată, UPS-ul nu va oferi această funcție.

9 Probleme și soluții

Problemă	Cauză posibilă	Soluții
Avertismente		
O/P Suprasolicitare	Echipamentele conectate solicită mai multă putere decât puterea nominală a UPSului. Dacă UPS-ul este în Modul Direct atunci va fi trecut în Modul Bypass. Dacă UPS-ul este în modul baterie atunci se va opri.	Oprește orice echipament care nu este de maximă importanță. Dacă acest lucru rezolvă situația, UPS-ul își va relua funcționarea normală.
Modul baterie	UPS funcționează pe baterie. Alarma suna la fiecare 10 secunde	Salvează informațiile importante și închide toate echipamentele.
Baterie redusă	UPS-ul funcționează pe baterie și se va opri foarte curând. Alarma suna la fiecare 2 secunde	UPS -ul va reporni imediat ce se va restabili curentul la rețea.
Baterii deconectate/ Schimbare baterii	Bateriile nu mai furnizează energie.	Verifică conectorul pentru cabinetul de baterii atunci când e cazul.
	UPS-ul nu trece testul de baterie.	Contactați unitatea de service pentru a înlocui bateriile.
Eroare încărcare	Încărcătorul este defect.	1. Închide UPS-ul și oprește alimentare de la rețea. 2. Contactați unitatea de unde ați achiziționat UPS-ul.

EPO OFF	Conexiunea EPO nu există.	Verificați conexiunea EPO.
Erori		
Temperatură ridicată	Temperatura ambientală e ridicată.	<ol style="list-style-type: none"> 1. Oprește UPS-ul și verifică dacă ventilatorul este defect sau dacă fantele de ventilație sunt libere. 2. Contactați unitatea de unde ați achiziționat UPS-ul.
Scurt circuit la ieșire	Scurt circuit la prizele ieșire.	<ol style="list-style-type: none"> 1. Oprește UPS-ul. 2. Echipamentele conectate sunt defecte. Deconectează-le și verifică.
High O/P V	Voltajul de ieșire este prea mare.	<ol style="list-style-type: none"> 1. Închide UPS-ul. 2. Contactați unitatea de unde ați achiziționat UPS-ul.
Low O/P V	Voltajul de ieșire este prea mic.	
Bus Fault	Tensiunea internă DC e prea mică sau prea mare.	
Altele		
Eroare la pornire	Temperatură ridicată, eroare la ventilator sau baterie epuizată.	<ol style="list-style-type: none"> 1. Repornește UPS-ul și observă starea pe care o indică. Acționează în consecință. 2. Contactați unitatea de unde ați achiziționat UPS-ul.



Dezafectarea echipamentelor electrice și electronice vechi

(Se aplică pentru țările membre ale Uniunii Europene și pentru alte țări europene cu sisteme de colectare separată).

Acest simbol aplicat pe produs sau pe ambalajul acestuia indică faptul că acest produs nu trebuie tratat ca pe un deșeu menajer.

El trebuie predat punctelor de reciclare a echipamentelor electrice și electronice.

Asigurându-vă că acest produs este dezafectat în mod corect, veți ajuta la prevenirea posibilelor consecințe negative asupra mediului și a sănătății umane, care ar fi putut surveni dacă produsul ar fi fost dezafectat în mod necorespunzător.

Reciclarea materialelor vă ajută la conservarea resurselor naturale.



Memo

A series of horizontal dotted lines for writing.



Memo

A series of horizontal dotted lines providing a template for writing a memo.



Memo

A series of horizontal dotted lines providing a template for writing a memo.



Memo

A series of horizontal dotted lines for writing.

EU Declaration of Conformity

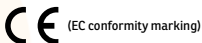
We, manufacturer / importer

DAI-TECH SRL
28 Popa Şapcă
300057, Timișoara
Romania

declare that the products

UPS Aster Series:
UPCMCOP910HASCG01B
UPCMCOP920HASCG01B
UPCMCOP930HASCG01B

are in conformity with



*Tested with the listed standards, the above mentioned products were found in compliance with **2014/30/EU EMC Directive** and with **2014/35/EU LVD Directive**.*

EN 62040-2: 2006+AC: 2006

EN 61000-3-2: 2014

EN 61000-3-3: 2013

EN 62040-1: 2008+A1:2013

and in conformity with



(RoHS conformity marking) in accordance with European Directive 2011/65/EU.



Stamp

Nov. 15, 2019

Timișoara

Date and location

A handwritten signature in blue ink that reads 'Tommy Lee'.

Tommy Lee

Signature and name

Declarație UE de conformitate

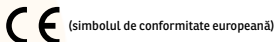
Noi, în calitate de producător / importator

DAI-TECH SRL
28 Popa Șapcă
300057, Timișoara
Romania

declarăm că următoarele produse

UPS Aster Series:
UPCMCOP910HASCG01B
UPCMCOP920HASCG01B
UPCMCOP930HASCG01B

sunt conforme cu



Testate în standardele acceptate, produsele menționate sunt conforme cu directivele **2014/30/EU EMC** și cu directiva **2014/35/EU LVD**.

EN 62040-2: 2006+AC: 2006

EN 61000-3-2: 2014

EN 61000-3-3: 2013

EN 62040-1: 2008+A1:2013

și în conformitate cu



(simbolul de conformitate RoHS) în acord cu directiva europeană 2011/65/EU.



Ștampila

Nov. 15, 2019

Timișoara

Data și locația

Tommy Lee

Semnătura și nume

